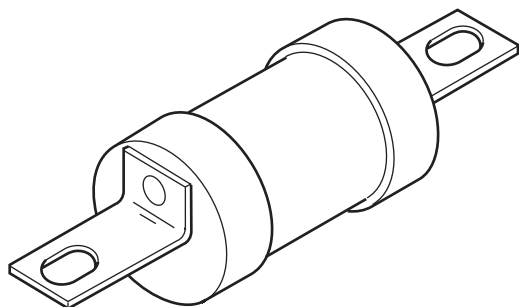


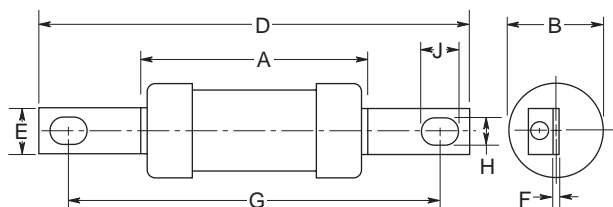
# Industrial HRC Fuse

21.4 x 113mm, BS88, IEC 269-1  
Center Bolted Tags

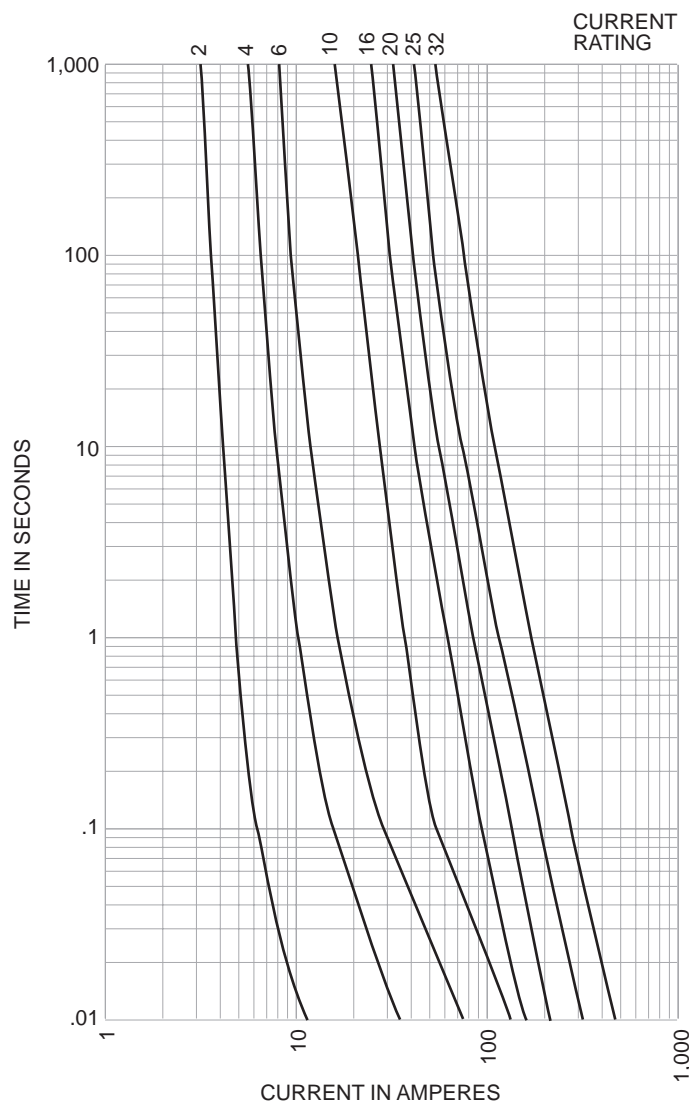


CATALOG SYMBOL: AC  
INDUSTRIAL HRC FUSE  
CENTER BOLTED TAGS  
PACKAGE QUANTITY: 20  
80kA INTERRUPTING RATING  
MOUNTS ON BH-0111 MODULAR FUSEBLOCK

**Dimensional Data:**



**Time-Current Characteristic Curve (Full Size Curves Available)**



**Electrical Characteristics**

Catalog Number	Ampere Rating	I <sup>2</sup> T (Amp <sup>2</sup> Seconds)			Nom Watts Loss	Rated Voltage	Dimensions (Inches/mm)							
		Pre-Arcing	Total At 415V	Total At 550V			A	B	D	E	F	G	H	J
AC2	2	1.2	3.1	3.8	1.2	550AC 250DC	55.0	21.0	113.5	0.50 12.7	0.06 1.6	97.5	7.0	13.5
AC4	4	11	31	38	1.4									
AC6	6	32	90	125	1.8									
AC10	10	20	60	80	2.4									
AC16	16	85	240	320	2.9									
AC20	20	220	580	770	3.1									
AC25	25	500	1400	1850	3.2									
AC32	32	1000	2760	3700	3.5									

The only controlled copy of this BIF document is the electronic read-only version located on the Bussmann Network Drive. All other copies of this BIF document are by definition uncontrolled. This bulletin is intended to clearly present comprehensive product data and provide technical information that will help the end user with design applications. Bussmann reserves the right, without notice, to change design or construction of any products and to discontinue or limit distribution of any products. Bussmann also reserves the right to change or update, without notice, any technical information contained in this bulletin. Once a product has been selected, it should be tested by the user in all possible applications.